

8

7

6

5

4

3

2

1

REVISION HISTORY			
REV	DWN	APPR	DATE
			DESCRIPTION

D

D

C

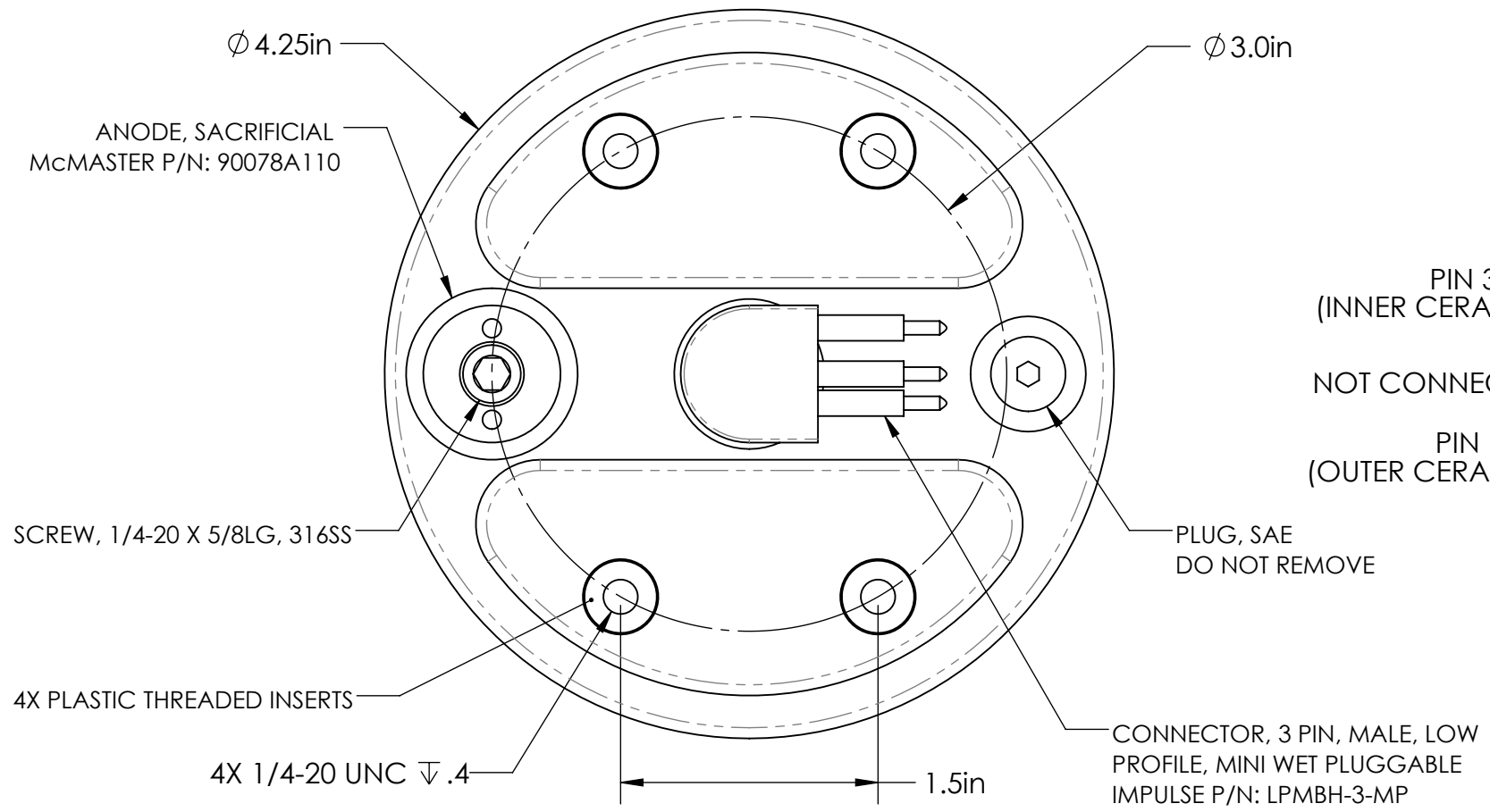
C

B

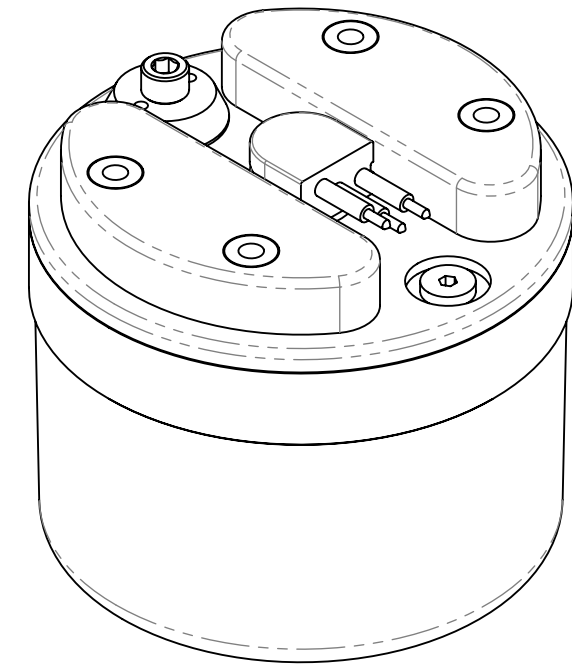
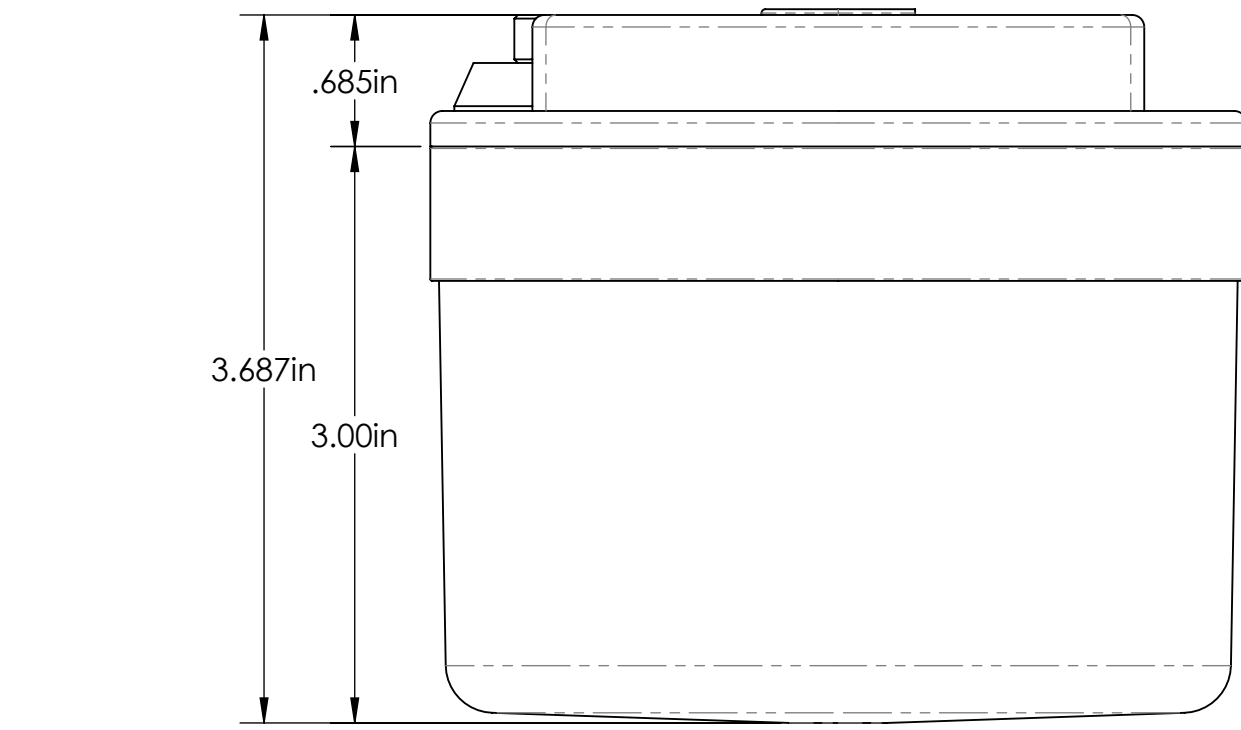
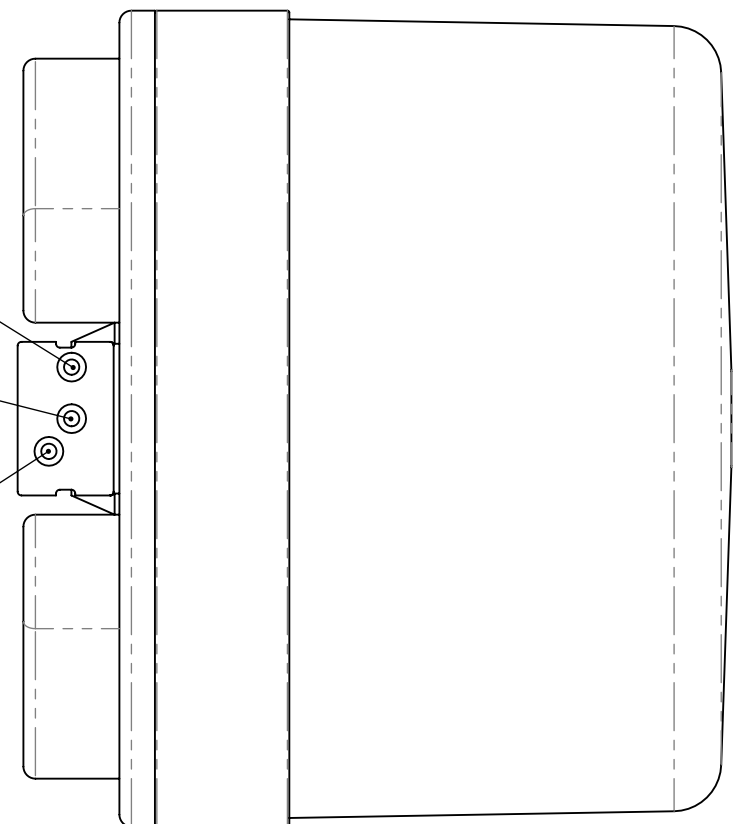
B

A

A



PIN 3 +VE
(INNER CERAMIC)
PIN 2
NOT CONNECTED
PIN 1 -VE
(OUTER CERAMIC)



SPECIFICATIONS:
CALCULATED WEIGHT IN AIR: 3.5lbs
CALCULATED WEIGHT IN WATER: 1.7lbs

PROPRIETARY AND CONFIDENTIAL
THE INFORMATION CONTAINED IN THIS DRAWING IS THE SOLE PROPERTY OF GEOSPECTRUM TECHNOLOGIES INC. ANY REPRODUCTION IN PART OR AS A WHOLE WITHOUT THE WRITTEN PERMISSION OF GEOSPECTRUM TECHNOLOGIES INC. IS PROHIBITED.

GTI GeoSpectrum Technologies Inc.
10 Akerley Blvd., Unit 19
Dartmouth, NS
Canada B3B 1J4
Tel: 1-902-406-4111
Fax: 1-902-435-8987
geospectrum.ca

DWN: LM	PRODUCT: M27-930	TITLE: TRANSDUCER, FFR, 7000Hz, OILFILLED
APPR: BA	SIZE: B	SCALE: 1:1
THIRD ANGLE PROJECTION	SHEET: 1 OF 1	DWG. No.: 02-027-085
		DATE: 21 SEP 2016
		REV: 00

8 7 6 5 4 3 2 1